

Ticker Plant System Implemented in MaxCompiler

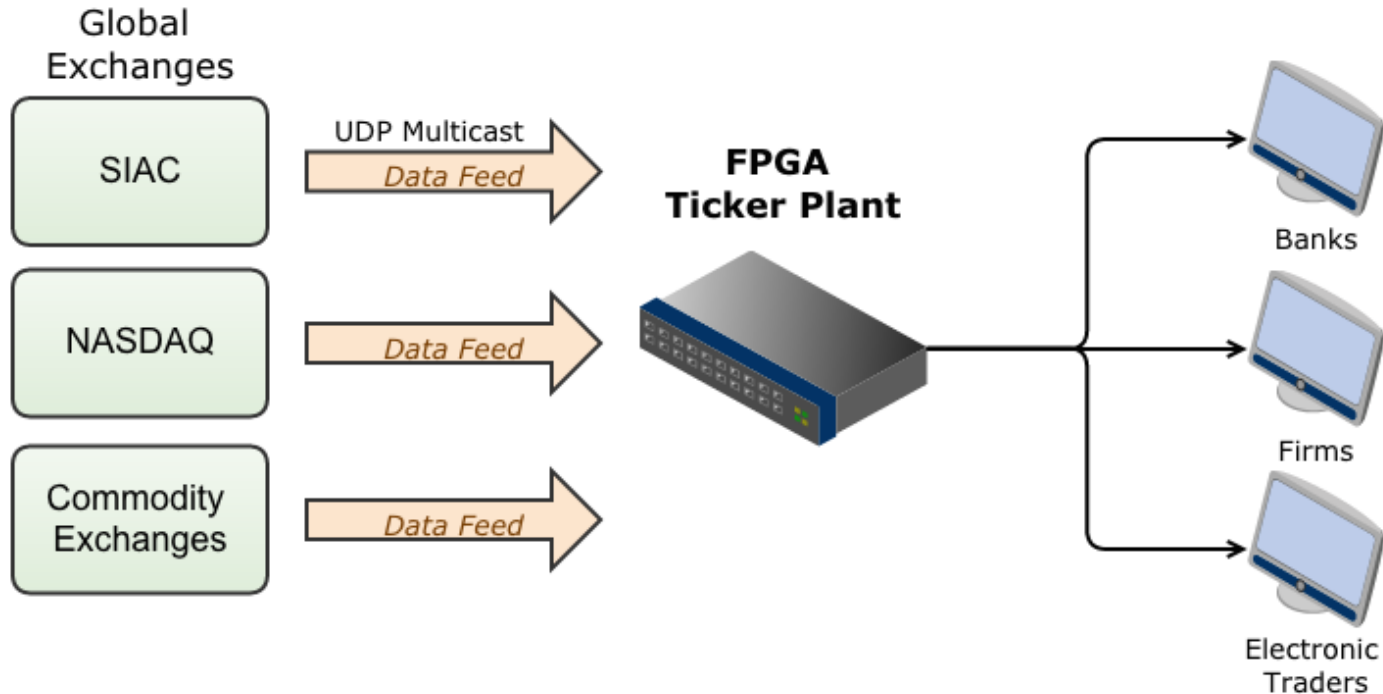
Gabriel Blanco (gab2135@columbia.edu)

Brian Bourn (bab2177@columbia.edu)

David Naveen Dhas Arthur (da2647@columbia.edu)

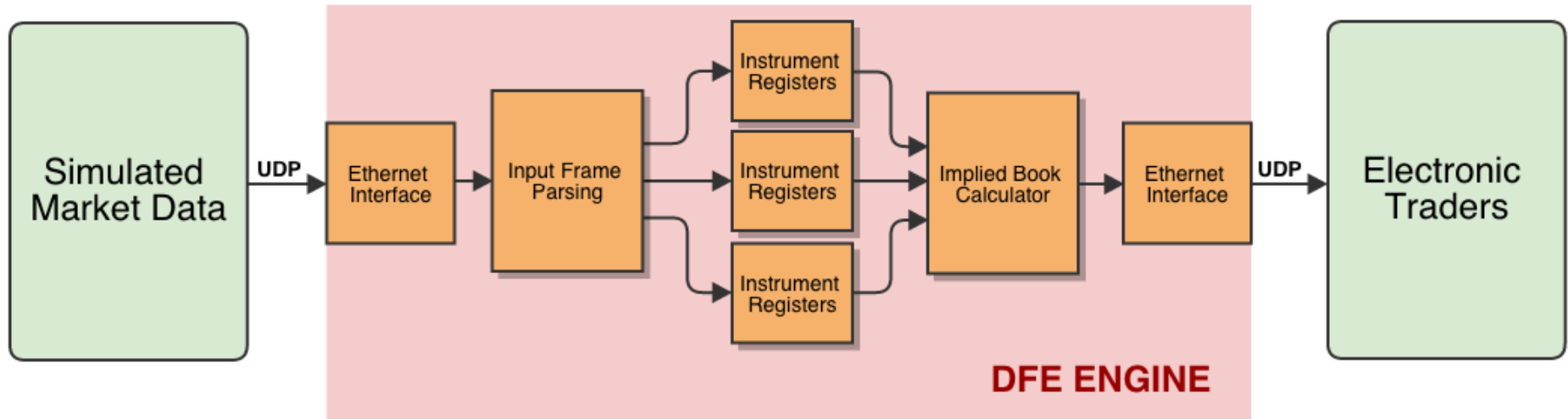
Suchith Vasudevan (sv2340@columbia.edu)

Ticker Plant



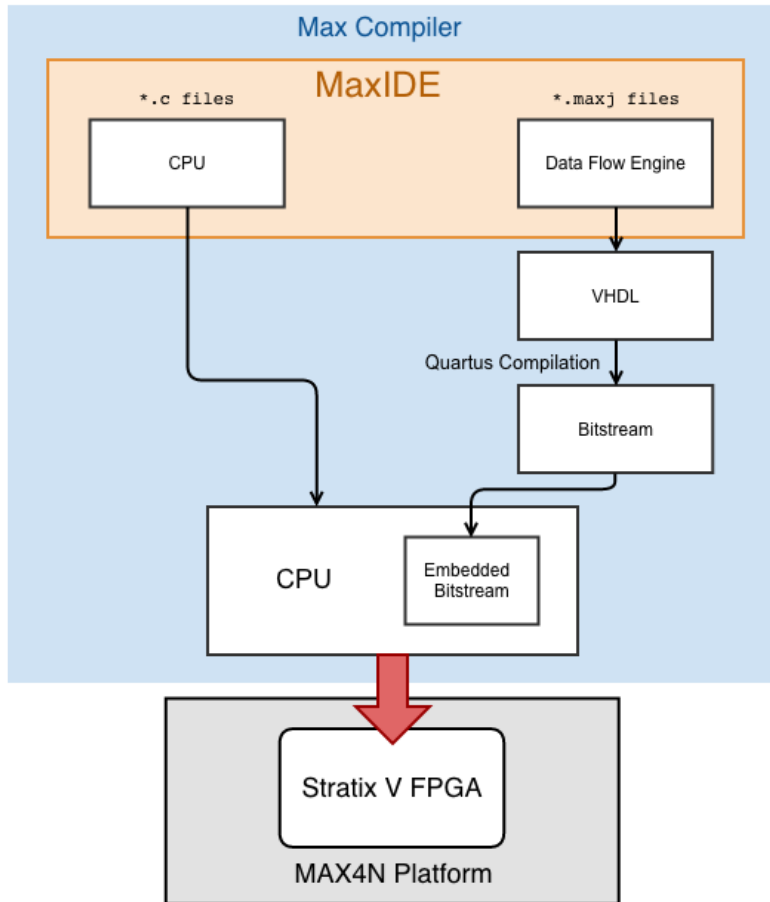
Receives data from the Exchange, calculates all possible implied values, then outputs them in a Machine Readable and sanitized format.

Implementation



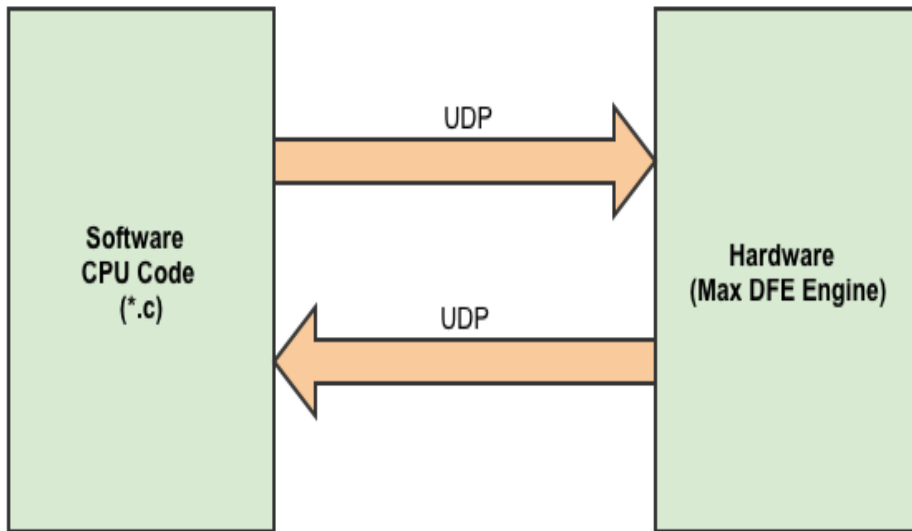
- Simulated market data is parsed CSV received through Ethernet (UDP)
- Kernel computes implied market data from real market data and stores them in respective registers
- Register data is transferred to order book through Ethernet (UDP)

Max Compiler



- Development Environment for writing *optimized* hardware code
- Compiles the .maxj (DFE engine and manager) to VHDL
- The MaxCompiler uses an extension of Java and a proprietary version of the Eclipse IDE
- Compile -> Quartus Compile
Run -> Hardware Implementation

Software and Hardware Interface



- Communication between the CPU and the FPGA done with a networking approach rather than shared memory.
- UDP Streams sent through Ethernet

Hardware: Platform



- Max4N FPGA platform
- PCIe express bus
- 24GB DDR3 offchip memory

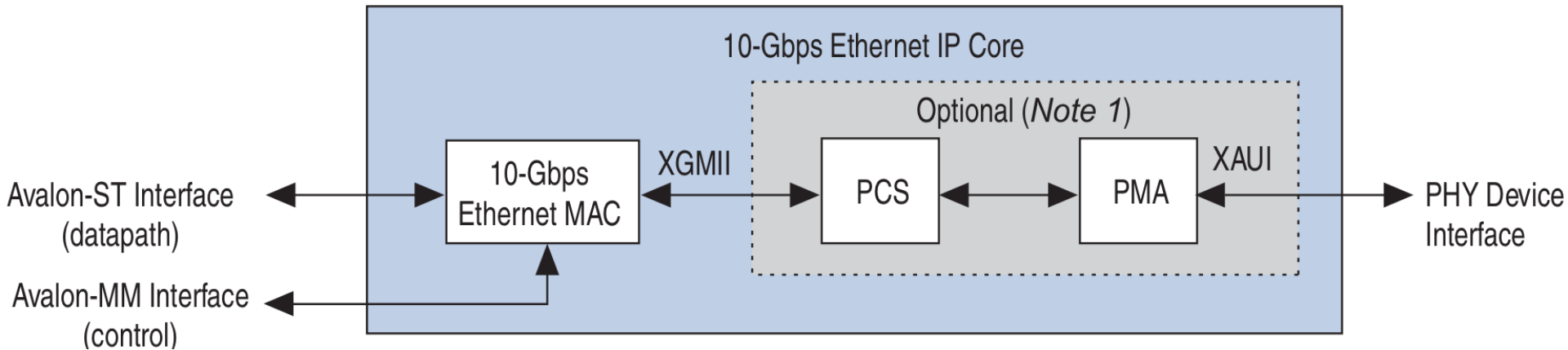
Hardware: FPGA

FPGA	Altera Cyclone V 5CSXFC6D6F31C8ES	Altera Stratix V 5SGXMABN2F45C2
Platform	SoCKit Board	Max4N Platform
ALMS	41,910	359,200
Block Memory Bits	5,662,720	54,067,200
DSP Blocks	112	352

- Stratix V FPGA
- Higher count of ALMs
- On-Chip memory (M20k memory blocks)



Hardware: Networking



- 2 QSFP Ports
- 4x10 Gbps Ethernet
- Avalon-ST 64-bit wide client interface
- Operating Frequency: 156.25 MHz with 10-Gbps full-duplex throughput rate ($F_{max} = 203.6$ Mhz)

Conclusion

- MaxCompiler used a simulation engine that executed in a significantly shorter amount of time than a normal Quartus compile.
- Documentation on the Maxeler IDE was sparse and heavily controlled by Maxeler, making it very hard to learn the language.

THANK\$

\$TE (pH)EN

and

DAVID!

=D

